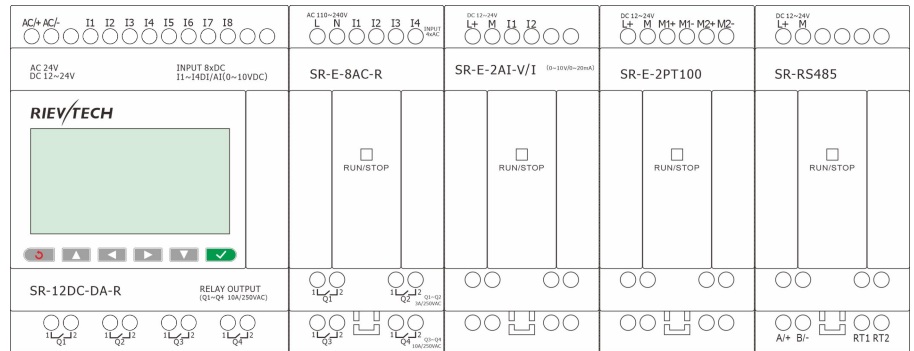
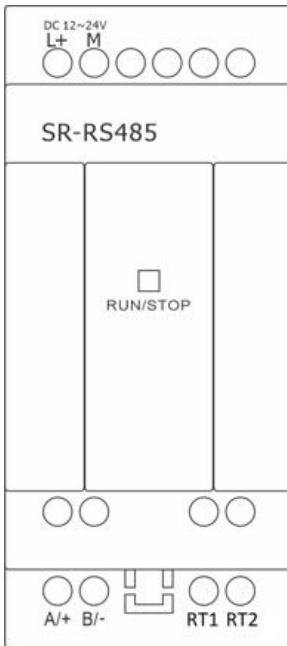


◆ **Technical Data:**

**Model: SR-RS485**



SR-E-RS485 module can be applied to SR or PR CPU.

**Technical Index**

<b>Power supply:</b>	
Nominal voltage	DC 12-24V
Operating limits	DC 10.8-28.8V
Immunity from micro power cuts	Typ.5 ms
Max. Startup current	Max. 0.1A
Max. absorbed power	1W
Protection against polarity inversions	Yes
<b>Input parameters:</b>	
Input No	None
<b>Output parameters:</b>	
Output No	None
<b>Other parameters:</b>	
Mounting	On 35-mm DIN rail, 4 WM wide, or wall mounting
Operation temp.	-20°C - +55°C
Storage	-40°C - +70°C
Weight	95.9g / 131.9g(packaging)

# Installation Dimensions & Wiring Diagram

