

ECONOMIC TOUCH HMI

RTS4043C

4,3 inch (10,9 cm)



Picture Quality

Resolution - **480 x 272**
Color - **16 millions** (24-Bit)
Brightness - **420cd/m²**
View - **160°**

Touch Panel

Type - **4-wires Resistive**

Features

CPU - **ARM Cortex A8** (600MHz)
Memory - **128MB** (Flash) + **128MB** (RAM)
SD Slot : **N/A**

Connectivity

Serial - **COM1, COM3** (RS232/RS422/RS485)
Ethernet - **N/A**
USB : **Host** (USB A) + **Slave** (USB B)

Protection

Power - **Thunderstrike, Surging**
COM Ports - **Isolated**
PCB : **Spray Coating** (Anti-Dust, -Condensation, -Corrosion)

USB A:
For such USB devices as -
USB Flash, Keyboard,
Barcode scanner, Printer, etc.

USB B:
Port for programming



4.3" 7"
9.7"



RTS 40xxC Series

Model: RTS4043C
Model: RTS4070C
Model: RTS4097C

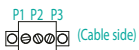
Specifications

Item	RTS4043C	RTS4070C	RTS4097C
Display type	TFT color LCD IPS		
Screen size	4.3 inch (10.9cm)	7 inch (17.7cm)	9.7 inch (24.6cm)
Display Resolution	480x272 pixel	800x480 pixel (WVGA)	1024x768 pixel (XGA)
Color indication	24-bit Color (16.2M)		
Indication degree	160 deg.		180 deg.
Backlight	LED Type		
Backlight duration	50,000 hours		
Brightness	420 cd/m ²	360 cd/m ²	350 cd/m ²
Touch panel	4 wires resistive touch screen (Surface hardness 4H)		
CPU	600MHz ARM Cortex A8		
Flash Memory	128MB		
Operation RAM	128MB		
RTC Function	Built-in		
Ethernet	-		
SD Card Slot	-		
USB Host	1 channel, USB 2.0 host (mouse, keyboard, printer, barcode reader and USB memory driver is available)		
USB Client	1 channel, USB 2.0 slave (for download and upload project file)		
RS-232C	1 channel - COM3		
RS-485	-		
RS-232/422/485	1 channel, 232/422/485 Combination		
COM Port Isolation	Yes		
Input Power	DC24V, input range DC 9V~28V		
Power Isolation	-		
Power Consumption	< 5W	< 10W	
Power Down Allowed	< 5ms		
Power Protection	Protected from thunder strike and surging		
Multi-language	Up to 32 language simultaneously		
Animation	GIF format is available		
Recipe	Available		
Data logging	Available		
Macro executor	Available		
Download project	U-Disk/USB Device		

Item	RTS4043C	RTS4070C	RTS4097C
Certificate			
CE & RoHS	CE: Complied with EN61000-6-2:2005, EN61000-6-4:2007 RoHS: Surge Immunity:±1KV, EFT:±2KV; ESD:4KV, Air:8KV		
Operating Temperature	0 °C .. +50 °C		
Storage Temperature	-20 °C .. +60 °C		
Operating Humidity	10~90%RH (No condensate)		
Vibration Endurance	10~25Hz (X, Y, Z direction 2G/30 minutes)		
Degree of Protection	Front IP65 (with NEMA panel), Back IP20		
Cooling Method	Natural air circulation		
Enclosure	ABS		
PCB Coating	Yes		
Mount	Panel mount		
Panel Cutout	120 x 93 mm	192 x 138 mm	259 x 201 mm
External Dimensions	128 x 102 x 32 mm	204 x 145 x 44.5 mm	276 x 213 x 39 mm
Weight	Approx. 430g (unit only)	Approx. 900g (unit only)	Approx. 1360g (unit only)

[Power connector]

Pin Connection



Pin No.	Name
P1	+24V
P2	0V
P3	FG

[COM1/COM3 connector]

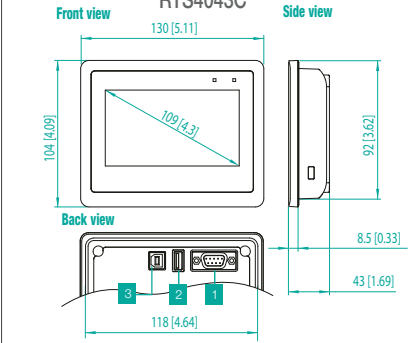
Pin Connection



Pin No.	Name
P1	Rx-(B)
P2	RxD_PLC (COM1 RS232)
P3	TxD_PLC (COM1 RS232)
P4	Tx+
P5	GND
P6	Rx+(A)
P7	RxD_PC/PLC (COM3 RS232)
P8	TxD_PC/PLC (COM3 RS232)
P9	Tx+

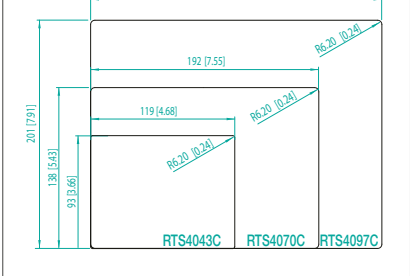
[External Dimensions/Interfaces]

Unit: mm [in.]



[Panel Cut-Out]

Unit: mm [in.]



[External Dimensions/Interfaces]

Unit: mm [in.]

